

PLEASE CHECK WWW.MOLEX.COM FOR LATEST PART INFORMATION

Part Number: [0945294106](#)
Status: **Active**
Description: 5.00mm (.197") Pitch RAST, Receptacle, Natural Color, PA Polyamide (Nylon) 6/6, 6 Circuits, Glow Wire Compatible

Documents:

[Drawing \(PDF\)](#) [Product Specification PS-94529-002 \(PDF\)](#)
[Product Specification PS-94529-001 \(PDF\)](#) [RoHS Certificate of Compliance \(PDF\)](#)

Agency Certification

UL E29179

General

Product Family Crimp Housings
 Series [94529](#)
 Product Name Pitch 5 Edge Card

Physical

Breakaway No
 Circuits (maximum) 6
 Color - Resin Natural
 Flammability 94V-0
 Gender Female
 Glow-Wire Compliant Yes
 Lock to Mating Part Yes
 Material - Resin Nylon
 Number of Rows 1
 Packaging Type Bag
 Panel Mount No
 Pitch - Mating Interface (in) 0.197 In
 Pitch - Mating Interface (mm) 5.00 mm
 Pitch - Term. Interface (in) 0.197 In
 Pitch - Term. Interface (mm) 5.00 mm
 Polarized to Mating Part Yes
 Ports 1
 Stackable No
 Temperature Range - Operating -40°C to +105°C, -40°C to +85°C

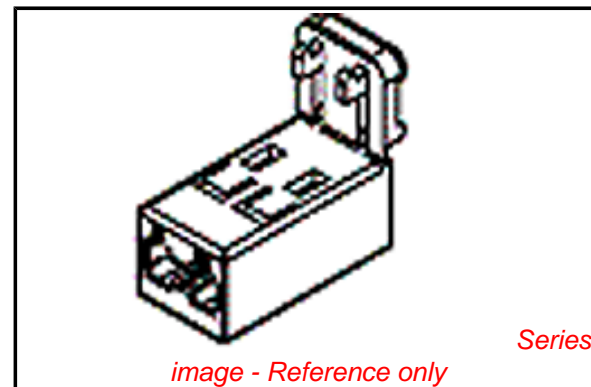
Electrical

Current - Maximum per Contact 6A

Material Info

Reference - Drawing Numbers

Product Specification PS-94529-001, PS-94529-002
 Sales Drawing SD-94529-008



EU RoHS

**ELV and RoHS
 Compliant**
**REACH SVHC
 Not Reviewed**
**Halogen-Free
 Status
 Not Reviewed**

China RoHS



**Need more information on product
 environmental compliance?**

Email productcompliance@molex.com
 For a multiple part number RoHS Certificate of
 Compliance, [click here](#)

Please visit the [Contact Us](#) section for any
 non-product compliance questions.

Search Parts in this Series

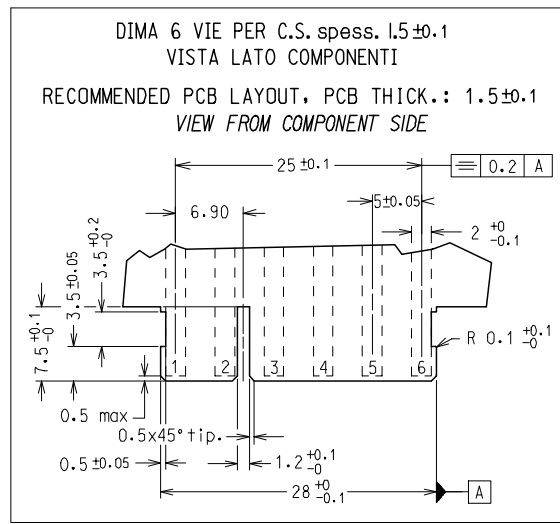
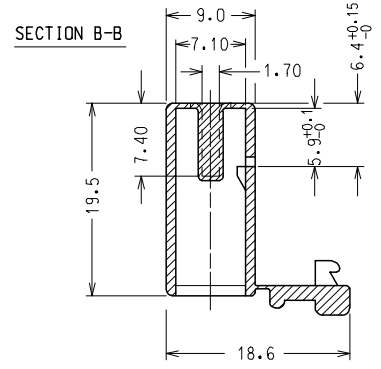
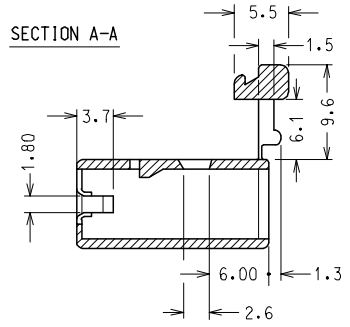
[94529Series](#)

Mates With

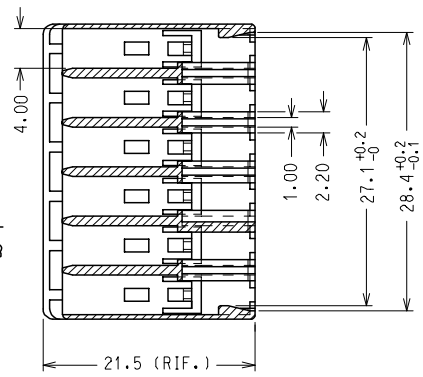
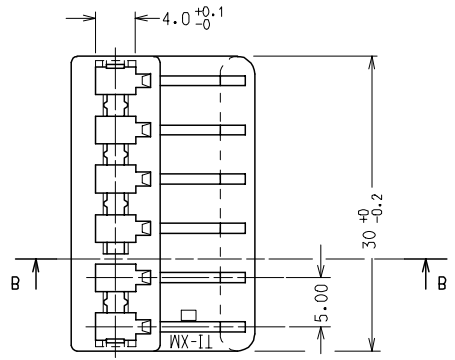
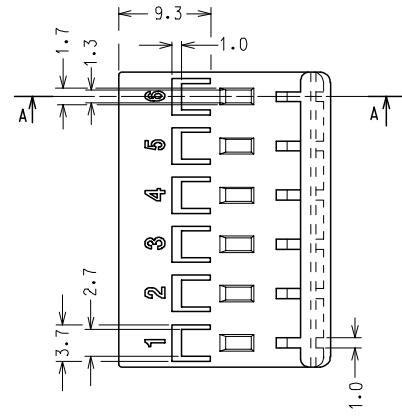
PCB thickness 1.50mm (.059")

Use With

[94529-1203 Terminal](#)



CODICE P/N	MATERIAL AND COLOR
94529-9106	NYLON 66 UL94 V2 NATURAL
94529-9206	NYLON 66 UL94 V2 BLACK
94529-7106	NYLON 66 UL94 V0 NATURAL
94529-7206	NYLON 66 UL94 V0 GREY
94529-4106	NYLON 6.6 GWT 750°C sec. IEC 60335-1 TEST METHOD IEC 60695-2-11 NATURAL



NOTA: LE DIMENSIONI VANNO MISURATE CON CORPI STABILIZZATI SECONDO NG 2301. (AUMENTO IN PESO DEL 2.7 %)

NOTE: PARTS SHALL BE DIMENSIONALLY CHECKED AFTER ATTAINING EQUILIBRIUM CONDITIONS E.G. 27 % INCREASE IN WEIGHT FOR HUMIDITY ABSORPTION FROM DRY STATUS.

CARATTERISTICHE PRODOTTO SECONDO PS-94529
PRODUCT CHARACTERISTICS ACCORDING TO PS-94529 E

CONFEZIONE: 2000 pz. IN SCATOLA
PACKAGING: 2000 pcs IN CARTON BOX

SPQ: 2000 pz. Descr. Std: HSG FOR FORK TERMINAL 6 CKT

EC NO: Z2006-0051 DRWN: FGOTTARD2005/10/12 CHKD: RSANDAN2005/10/12 APPR: GZUIN 2005/10/14	QUALITY SYMBOLS	GENERAL TOLERANCES (UNLESS SPECIFIED)	SCALE 2:1	DESIGN UNITS METRIC	FIRST ANGLE PROJECTION	REVISE ON CAD ONLY
	▽ -0	4 PLACES ± ---	mm	DIMENSION STYLE MM ONLY	TITLE 6 CKT HOUSING FOR STRAIGHT FORK TERMINAL	
	▽ -0	3 PLACES ± ---	INCH	DRAWN BY DATE		
	▽ -0	2 PLACES ± 0.1	1 PLACE ± 0.2	ANGULAR ± 2 °	FGOTTARD 1995/10/25	
A4	REV	DRAFT WHERE APPLICABLE MUST REMAIN WITHIN DIMENSIONS	APPROVED BY DATE	SSORATO 1995/10/25	MATERIAL NO. SEE TAB.	DOCUMENT NO. SD-94529-008
			THIS DRAWING CONTAINS INFORMATION THAT IS PROPRIETARY TO MOLEX INCORPORATED AND SHOULD NOT BE USED WITHOUT WRITTEN PERMISSION		SHEET NO. 1 OF 1	A3